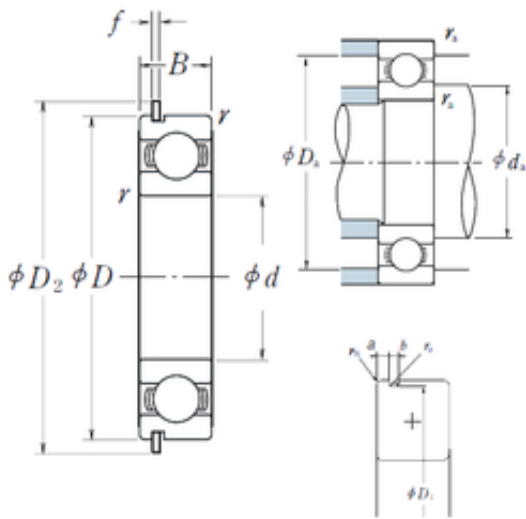




# INA BRAINGS SALES JAPAN CO.,LTD.



100 mm x 150 mm x 24 mm NSK 6020NR deep groove ball bearings

Bearing No. 6020NR

6020NR Bearing 2D drawings and 3D CAD models

Size	100x150x24 mm
Bore Diameter	100 mm
Outer Diameter	150 mm
Width	24 mm
d	100 mm
D	150 mm
B	24 mm
C	24 mm
rn	0,5 mm
a	3,71 mm
b	3,1 mm
f	2,82 mm
r min.	1,5 mm
r0 max.	0,6 mm
D1	145,24 mm
D2	159,7 mm
da min.	108 mm
da max	112,5 mm
Da max.	142 mm
ra max.	1,5 mm
Weight	1,29 Kg
Basic dynamic load rating (C)	60 kN
Basic static load rating (C0)	54 kN
(Grease) Lubrication Speed	4 300 r/min
(Oil) Lubrication Speed	5 300 r/min



## INA BRAINGS SALES JAPAN CO.,LTD.

Category	Single Row Ball Bearings
Inventory	0.0
Manufacturer Name	NSK
Minimum Buy Quantity	N/A
Weight / Kilogram	1.5
EAN	0029176034466
Product Group	B00308
Enclosure	Open
Precision Class	ABEC 1   ISO P0
Maximum Capacity / Filling Slot	No
Rolling Element	Ball Bearing
Snap Ring	Yes
Internal Special Features	No
Cage Material	Steel
Internal Clearance	C0-Medium
Inch - Metric	Metric
Long Description	100MM Bore; 150MM Outside Diameter; 24MM Outer Race Diameter; Open; Ball Bearing; ABEC 1   ISO P0; No Filling Slot; Yes Snap Ring; No Internal Special Features
Category	Single Row Ball Bearing
UNSPSC	31171504
Harmonized Tariff Code	8482.10.50.68
Noun	Bearing
Keyword String	Ball
Manufacturer URL	<a href="http://www.nskamericas.com">http://www.nskamericas.com</a>
Manufacturer Item Number	6020NR
Weight / LBS	1.39
Outside Diameter	5.906 Inch   150 Millimeter
Bore	3.937 Inch   100 Millimeter



## INA BRAINGS SALES JAPAN CO.,LTD.

Outer Race Width	0.945 Inch   24 Millimeter
SRI	7.8
hidYobi	6020NR
LangID	1
ro	0.6
D_	150
SREX	0.03
B_	24
da min	108
hidTable	ecat_NSRDGB
Oil rpm	5300
SRE	7.8
Cy	6.1
mass	1.29
GRS rpm	4300
ra	1.5
SRIX	0.03
D_a	142
SRIN	-0.03
C0	54
fo	15.9
SREN	-0.03
DE_	140.081
Prod_Type3	DGBB_SR_NR_OT
DA_	15.081
bomp	0
Z_	15
yobi	6020NR
Dx	162
C_conv	60000
ALPHA_	0
SDM_	125



## INA BRAINGS SALES JAPAN CO.,LTD.

r	1.5
KBRG	6101
SBRG	10
DI_	109.919