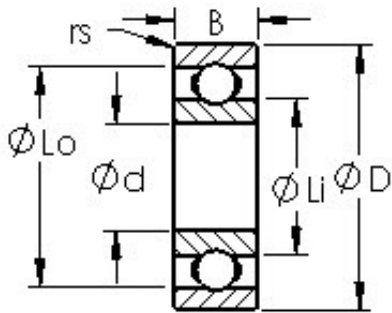




INA BRAINGS SALES JAPAN CO.,LTD.



AST 6020 deep groove ball bearings

Bearing No. 6020

Size	100x150x24 mm
Bore Diameter	100 mm
Outer Diameter	150 mm
Width	24 mm
Bearing Type	Open
Bore Dia (d)	100.0000
Outer Dia (D)	150.0000
Width (B)	24.0000
Radius (min) (rs)	1.500
Dynamic Load Rating (Cr)	60,200
Static Load Rating (Cor)	54,200
Max Speed (Grease) (X1000 RPM)	4
Max Speed (Oil) (X1000 RPM)	5
Max. Shaft Shoulder Dia. Inner (Li)	113.0
Min. Housing Shoulder Dia., Outer (Lo)	142.0
Weight (g)	1,250.00
Precision	A1
Standard Clearance	C0
Material	52100 Chrome steel (or equivalent)

6020 Bearing 2D drawings and 3D CAD models