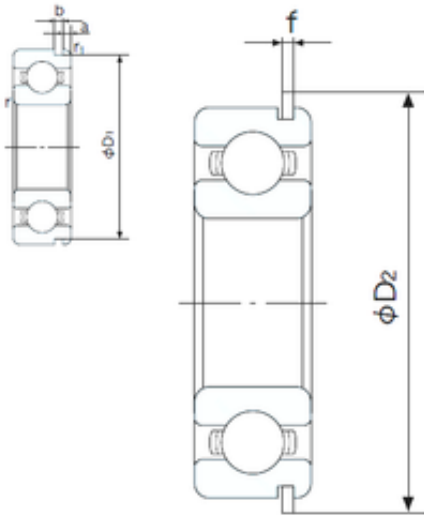




INA BRAINGS SALES JAPAN CO.,LTD.



6020NR Bearing 2D drawings and 3D CAD models

100 mm x 150 mm x 24 mm NACHI 6020NR
deep groove ball bearings

Bearing No. 6020NR

Size	100x150x24 mm
Bore Diameter	100 mm
Outer Diameter	150 mm
Width	24 mm
d	100 mm
D	150 mm
B	24 mm
C	24 mm
a	3.71 mm
b	3.1 mm
f	2.82 mm
r min.	1.5 mm
r1 min.	0.5 mm
D1	145.24 mm
D2	159.7 mm
Weight	1.20 Kg
Basic dynamic load rating (C)	60 kN
Basic static load rating (C0)	54 kN
(Grease) Lubrication Speed	4200 r/min
Category	Single Row Ball Bearings
Inventory	0.0
Manufacturer Name	NACHI
Minimum Buy Quantity	N/A
Weight / Kilogram	1.262
EAN	4991893658682



INA BRAINGS SALES JAPAN CO.,LTD.

Product Group	B00308
Enclosure	Open
Precision Class	ABEC 1 ISO P0
Maximum Capacity / Filling Slot	No
Rolling Element	Ball Bearing
Snap Ring	Yes
Internal Special Features	No
Cage Material	Steel
Internal Clearance	C0-Medium
Inch - Metric	Metric
Long Description	100MM Bore; 150MM Outside Diameter; 24MM Outer Race Width; Open; Ball Bearing; ABEC 1 ISO P0; No Filling Slot; Yes Snap Ring; No Internal Special Features; C0-Medium Internal Clearance; Steel Cage
Other Features	Deep Groove With Snap Ring
Category	Single Row Ball Bearing
UNSPSC	31171504
Harmonized Tariff Code	8482.10.50.68
Noun	Bearing
Keyword String	Ball
Manufacturer URL	http://www.nachi-america.com
Bore	3.937 Inch 100 Millimeter
Outside Diameter	5.906 Inch 150 Millimeter
Outer Race Width	0.945 Inch 24 Millimeter
Inner Race Width	0 Inch 0 Millimeter
Bore Type	Cylindrical Bore
Configuration	Single Row
Bore Size	100 mm



INA BRAINGS SALES JAPAN CO.,LTD.

Width	24 mm
Fillet Radius/Chamfer	1.5 mm
r1	0.5 mm
Snap Ring Width	2.8 mm
Snap Ring Outside Diameter	159.7 mm
D1 (max)	145.2 mm
a (max)	3.7 mm
b (min)	3.1 mm
Dynamic Load Rating	60,000 N
Static Load Rating	54,000 N
Limiting Speed - Grease	4,300 rpm
Limiting Speed - Oil	5,300 rpm
Factor fo	15.9
Radial Clearance	0.012 to 0.036 mm
da (min)	107 mm
Da (max)	143 mm
Dx (min)	162 mm
ra (max)	1.5 mm
Cy (max)	6.1 mm