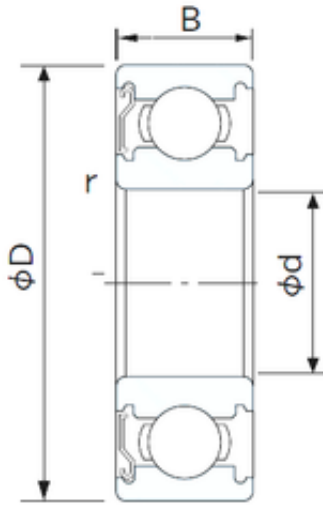




INA BRAINGS SALES JAPAN CO.,LTD.



100 mm x 150 mm x 24 mm CYSD 6020-Z deep groove ball bearings

Bearing No. 6020-Z

Size	100x150x24 mm
Bore Diameter	100 mm
Outer Diameter	150 mm
Width	24 mm
d	100 mm
D	150 mm
B	24 mm
C	24 mm
r min.	1,5 mm
Weight	1,29 Kg
Basic dynamic load rating (C)	60 kN
Basic static load rating (C0)	54 kN
(Grease) Lubrication Speed	4300 r/min

6020-Z Bearing 2D drawings and 3D CAD models