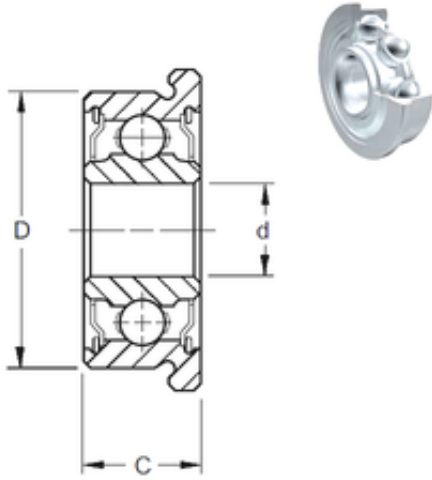




INA BRAINGS SALES JAPAN CO.,LTD.



10 mm x 22 mm x 6 mm ZEN F61900-2Z deep groove ball bearings

Bearing No. F61900-2Z

Size	10x22x6 mm
Bore Diameter	10 mm
Outer Diameter	22 mm
Width	6 mm
d	10 mm
D	22 mm
B	6 mm
C	6 mm
Basic dynamic load rating (C)	2,695 kN
Basic static load rating (C0)	1,273 kN
(Grease) Lubrication Speed	34000 r/min

F61900-2Z Bearing 2D drawings and 3D CAD models