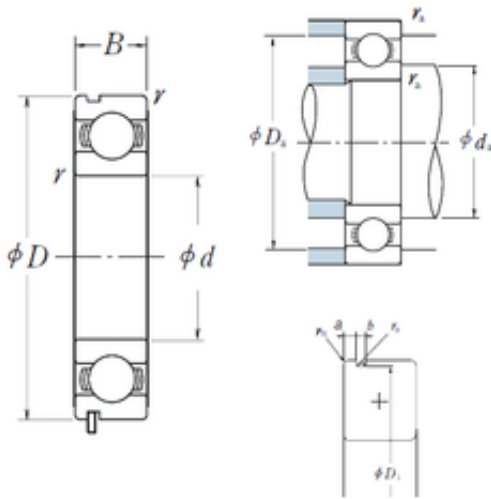




INA BRAINGS SALES JAPAN CO.,LTD.



10 mm x 22 mm x 6 mm NSK 6900N deep groove ball bearings

Bearing No. 6900N

6900N Bearing 2D drawings and 3D CAD models

Size	10x22x6 mm
Bore Diameter	10 mm
Outer Diameter	22 mm
Width	6 mm
d	10 mm
D	22 mm
B	6 mm
C	6 mm
rn	0,2 mm
a	1,05 mm
b	0,8 mm
r min.	0,3 mm
r0 max.	0,2 mm
D1	20,8 mm
da min.	12 mm
da max	12,5 mm
Da max.	20 mm
ra max.	0,3 mm
Weight	0,009 Kg
Basic dynamic load rating (C)	2,7 kN
Basic static load rating (C0)	1,27 kN
(Grease) Lubrication Speed	32 000 r/min
(Oil) Lubrication Speed	38 000 r/min
SRI	1.64
hidYobi	6900N



INA BRAINGS SALES JAPAN CO.,LTD.

LangID	1
ro	0.2
D_	22
SREX	0.015
B_	6
da min	12
hidTable	ecat_NSRDGB
Oil rpm	38000
SRE	1.64
mass	0.009
GRS rpm	32000
ra	0.3
SRIX	0.015
D_a	20
SRIN	-0.015
C0	1.27
fo	14
SREN	-0.015
DE_	19.175
Prod_Type3	DGBB_SR_N_OT
DA_	3.175
bomp	0
Z_	9
yobi	6900N
C_conv	2700
ALPHA_	0
SDM_	16
r	0.3
KBRG	6101
SBRG	19
DI_	12.825