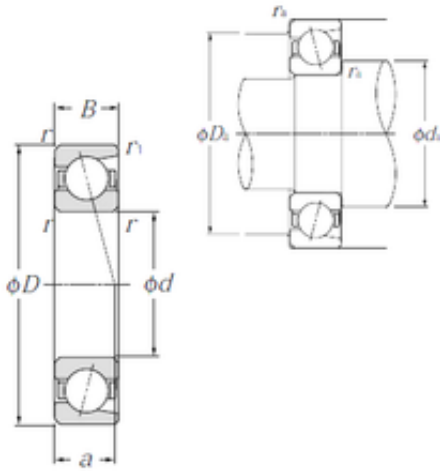




INA BRAINGS SALES JAPAN CO.,LTD.

130 mm x 230 mm x 40 mm NTN 7226B
angular contact ball bearings



Bearing No. 7226B

7226B Bearing 2D drawings and 3D CAD models

Size	130x230x40 mm
Bore Diameter	130 mm
Outer Diameter	230 mm
Width	40 mm
d	130 mm
D	230 mm
B	40 mm
C	40 mm
Angle (°)	40 °
a	95,5 mm
r min.	3 mm
r1 min.	1,1 mm
da min.	144 mm
ra max.	2,5 mm
Weight	7,15 Kg
Basic dynamic load rating (C)	177 kN
Basic static load rating (C0)	180 kN
(Grease) Lubrication Speed	2 500 r/min
Category	Angular Contact Ball Bearings
Inventory	0.0
Manufacturer Name	NTN
Minimum Buy Quantity	N/A
Weight / Kilogram	6.95
Product Group	B00308



INA BRAINGS SALES JAPAN CO.,LTD.

Enclosure	Open
Flush Ground	No
Rolling Element	Ball Bearing
Number of Rows of Balls	Single Row
Precision Class	ABEC 1 ISO P0
Maximum Capacity / Filling Slot	No
Snap Ring	No
Cage Material	Steel
Contact Angle	40 Degree
Internal Clearance	C0-Medium
Number of Bearings	1 (Single)
Inch - Metric	Metric
Long Description	130MM Bore; 230MM Outside Diameter; 40MM Width; Open; No Flush Ground; Ball Bearing; Single Row of Balls; ABEC 1 ISO P0; No Filling Slot; No Snap Ring; C0-Medium; Steel Cage; 40 Degree; 1 (Single)
Category	Angular Contact Ball Bearing
UNSPSC	31171531
Harmonized Tariff Code	8482.10.50.28
Noun	Bearing
Keyword String	Angular Contact
Manufacturer URL	http://www.ntnamerica.com
Width	1.575 Inch 40 Millimeter
Bore	5.118 Inch 130 Millimeter
Outside Diameter	9.055 Inch 230 Millimeter