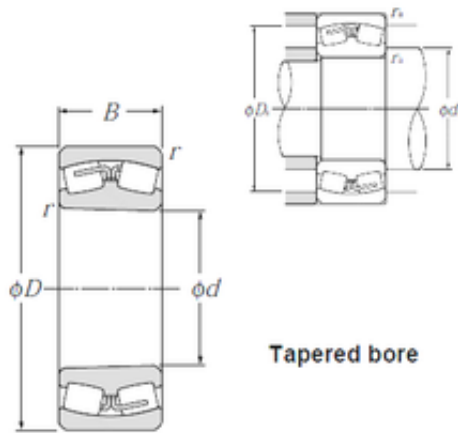




INA BRAINGS SALES JAPAN CO.,LTD.



150 mm x 225 mm x 56 mm NTN 23030BK
spherical roller bearings

Bearing No. 23030BK

23030BK Bearing 2D drawings and 3D CAD models

Size	150x225x56 mm
Bore Diameter	150 mm
Outer Diameter	225 mm
Width	56 mm
d	150 mm
D	225 mm
B	56 mm
C	56 mm
r min.	2,1 mm
da min.	162 mm
Da max.	213 mm
ra max.	2 mm
Weight	7,45 Kg
Basic dynamic load rating (C)	445 kN
Basic static load rating (C0)	775 kN
(Grease) Lubrication Speed	1 500 r/min
(Oil) Lubrication Speed	2 000 r/min
Calculation factor (e)	0,24
Calculation factor (Y0)	2,7
Calculation factor (Y1)	2,76
Category	Bearings
Inventory	0.0
Manufacturer Name	NTN
Minimum Buy Quantity	N/A
Weight / Kilogram	7.45



INA BRAINGS SALES JAPAN CO.,LTD.

Product Group	
---------------	--

	B04311
--	--------