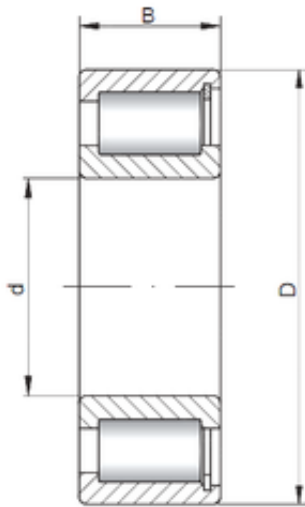




# INA BRAINGS SALES JAPAN CO.,LTD.



150 mm x 225 mm x 56 mm ISO SL183030  
cylindrical roller bearings

Bearing No. SL183030

Size	150x225x56 mm
Bore Diameter	150 mm
Outer Diameter	225 mm
Width	56 mm
d	150 mm
D	225 mm
B	56 mm
C	56 mm

SL183030 Bearing 2D drawings and 3D CAD models