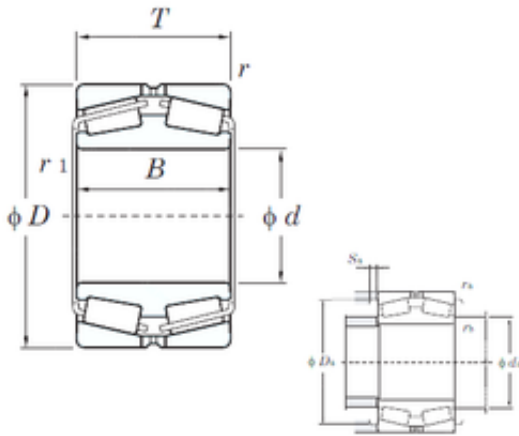




# INA BRAINGS SALES JAPAN CO.,LTD.

150 mm x 225 mm x 56 mm KOYO 45230 tapered roller bearings



Bearing No. 45230

45230 Bearing 2D drawings and 3D CAD models

Size	150x225x56 mm
Bore Diameter	150 mm
Outer Diameter	225 mm
Width	56 mm
d	150 mm
D	225 mm
T	56 mm
B	56 mm
r min.	2,5 mm
r1 min.	3 mm
da max	174 mm
Db min.	203 mm
ra max.	2 mm
rb max.	2,5 mm
Db max	213 mm
Weight	7,87 Kg
Basic dynamic load rating (C)	355 kN
Basic static load rating (C0)	686 kN
(Grease) Lubrication Speed	1200 r/min
(Oil) Lubrication Speed	1600 r/min
Calculation factor (e)	0,26
Calculation factor (Y0)	2,5
Bearing No.	45230
r(min)	2.5
r1(min)	3



## INA BRAINGS SALES JAPAN CO.,LTD.

Cr	445
C0r	686
Cu	45.8
Grease lub.	1200
Oil lub.	1600
da(max)	174
Da(max)	213
Da(min)	203
Sa(min)	4
ra(max)	2
rb(max)	2.5
e	0.26
Y2	2.55
Y3	3.80
Y0	2.50
(Refer.) Mass(kg)	7.87