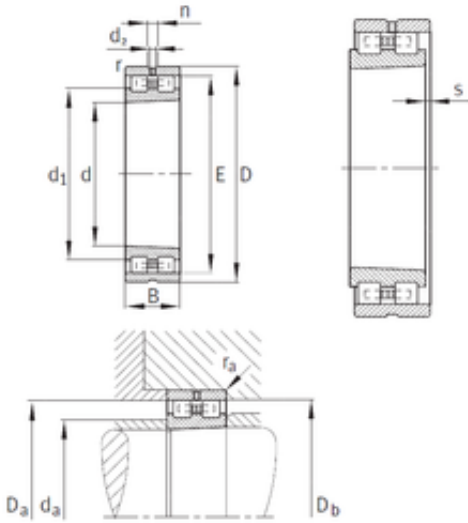




INA BRAINGS SALES JAPAN CO.,LTD.

150 mm x 225 mm x 56 mm INA NN3030-AS-K-M-SP cylindrical roller bearings

Bearing No. NN3030-AS-K-M-SP



NN3030-AS-K-M-SP Bearing 2D drawings and 3D CAD models

Size	150x225x56 mm
Bore Diameter	150 mm
Outer Diameter	225 mm
Width	56 mm
d	150 mm
D	225 mm
E	206 mm
B	56 mm
C	56 mm
n	9,5 mm
d1	178,8 mm
d2	4,8 mm
r min.	2,1 mm
da min.	160 mm
Da max.	215 mm
Db min.	208 mm
ra max.	2,1 mm
S	3,7 mm
Weight	7,58 Kg
Basic dynamic load rating (C)	335 kN
Basic static load rating (C0)	585 kN
(Grease) Lubrication Speed	3 400 r/min
(Oil) Lubrication Speed	4 000 r/min