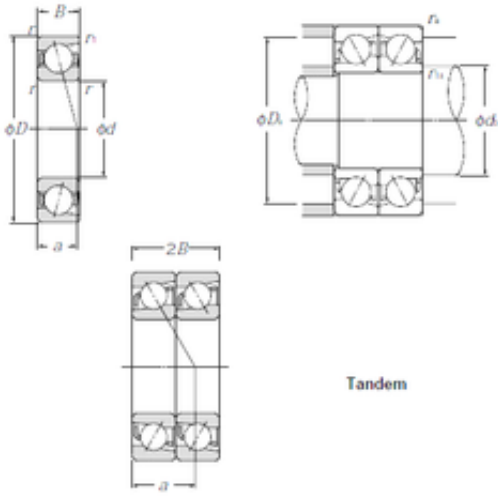




# INA BRAINGS SALES JAPAN CO.,LTD.



17 mm x 40 mm x 12 mm CYSD 7203DT  
angular contact ball bearings

Bearing No. 7203DT

|                               |             |
|-------------------------------|-------------|
| Size                          | 17x40x12 mm |
| Bore Diameter                 | 17 mm       |
| Outer Diameter                | 40 mm       |
| Width                         | 12 mm       |
| d                             | 17 mm       |
| D                             | 40 mm       |
| B                             | 12 mm       |
| C                             | 12 mm       |
| Angle ( ° )                   | 25 °        |
| r min.                        | 0,6 mm      |
| 2B                            | 24 mm       |
| Weight                        | 0,128 Kg    |
| Basic dynamic load rating (C) | 19,4 kN     |
| Basic static load rating (C0) | 13,2 kN     |
| (Grease) Lubrication Speed    | 15000 r/min |

7203DT Bearing 2D drawings and 3D CAD models