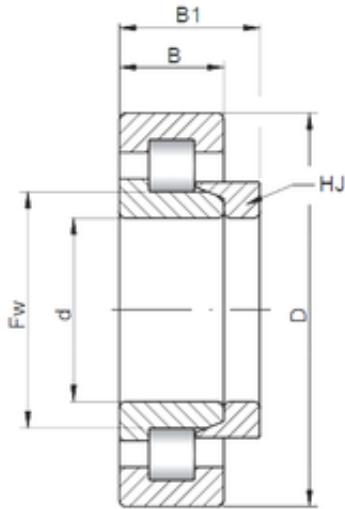




# INA BRAINGS SALES JAPAN CO.,LTD.



## 17 mm x 40 mm x 12 mm Loyal NH203 E cylindrical roller bearings

Bearing No. NH203 E

Size	17x40x12 mm
Bore Diameter	17 mm
Outer Diameter	40 mm
Width	12 mm
d	17 mm
Fw	22 mm
D	40 mm
B	12 mm
C	12 mm
B1	3 mm
B2	5,5 mm
Weight	0,078 Kg
Basic dynamic load rating (C)	17,6 kN
Basic static load rating (C0)	14,6 kN
(Grease) Lubrication Speed	17000 r/min

NH203 E Bearing 2D drawings and 3D CAD models