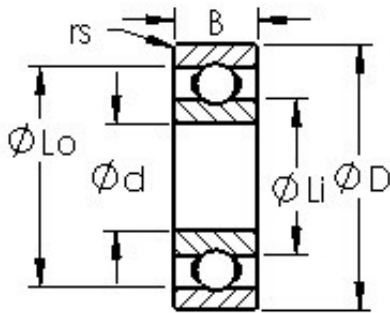




INA BRAINGS SALES JAPAN CO.,LTD.



AST 6010 deep groove ball bearings

Bearing No. 6010

Size	50x80x16 mm
Bore Diameter	50 mm
Outer Diameter	80 mm
Width	16 mm
Bearing Type	Open
Bore Dia (d)	50.0000
Outer Dia (D)	80.0000
Width (B)	16.0000
Radius (min) (rs)	1.000
Dynamic Load Rating (Cr)	21,800
Static Load Rating (Cor)	16,600
Max Speed (Grease) (X1000 RPM)	8
Max Speed (Oil) (X00 RPM)	10
Max. Shaft Shoulder Dia. Inner (Li)	60.0
Min. Housing Shoulder Dia., Outer (Lo)	71.0
Ball Qty	13
Ball Dia (Dw)	8.7310
Weight (g)	261.00
Precision	A1
Standard Clearance	C0
Material	52100 Chrome steel (or equivalent)

6010 Bearing 2D drawings and 3D CAD models