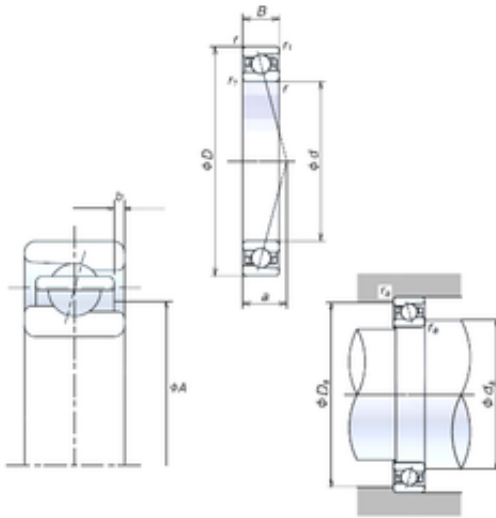




INA BRAINGS SALES JAPAN CO.,LTD.

50 mm x 80 mm x 16 mm NSK 50BNR10H angular contact ball bearings

Bearing No. 50BNR10H



50BNR10H Bearing 2D drawings and 3D CAD models

Size	50x80x16 mm
Bore Diameter	50 mm
Outer Diameter	80 mm
Width	16 mm
d	50 mm
D	80 mm
B	16 mm
C	16 mm
Angle (°)	18 °
a	18,4 mm
b	1,7 mm
r min.	1 mm
r1 min.	0,6 mm
A	60,5 mm
da min.	56 mm
Da max.	74 mm
ra max.	1 mm
Weight	0,266 Kg
Basic dynamic load rating (C)	12,2 kN
Basic static load rating (C0)	9,9 kN
(Grease) Lubrication Speed	27700 r/min