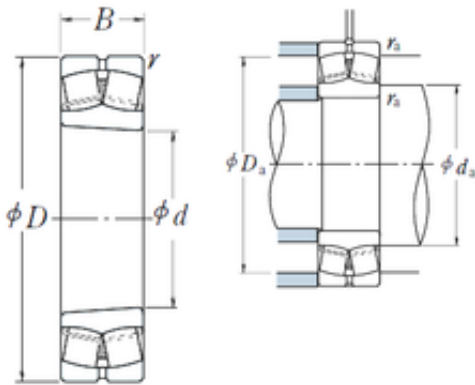




# INA BRAINGS SALES JAPAN CO.,LTD.



Tapered Bore

65 mm x 140 mm x 33 mm NSK 21313EAKE4 spherical roller bearings

Bearing No. 21313EAKE4

21313EAKE4 Bearing 2D drawings and 3D CAD models

Size	65x140x33 mm
Bore Diameter	65 mm
Outer Diameter	140 mm
Width	33 mm
d	65 mm
D	140 mm
B	33 mm
C	33 mm
r min.	2,1 mm
da min.	77 mm
da max	94 mm
Da min	126 mm
Da max.	128 mm
ra max.	2 mm
Weight	2,45 Kg
Basic dynamic load rating (C)	212 kN
Basic static load rating (C0)	275 kN
(Grease) Lubrication Speed	3200 r/min
(Oil) Lubrication Speed	4000 r/min
Calculation factor (e)	0,22
Calculation factor (Y0)	3
Calculation factor (Y2)	4,6
Category	Spherical Roller Bearings
Inventory	0.0
Manufacturer Name	NSK



## INA BRAINGS SALES JAPAN CO.,LTD.

Minimum Buy Quantity	N/A
Weight / Kilogram	2.5
EAN	0029176410796
Product Group	B04311
Internal Clearance	C0-Medium
Mounting Method	Adapter Mount
Rolling Element	Spherical Roller Bearing
Bore Profile	Tapered
Cage Material	Steel
Enclosure	Open
Number of Rows of Rollers	Double Row
Relubricatable	Yes
Withdrawal Sleeve	AHX313 (Specify bore)
Inch - Metric	Metric
Long Description	65MM Tapered Bore; 140MM Outside Diameter; 33MM Width; C0-Medium Clearance; Adapter Mount; Double Row of Spherical Roller Bearings; Steel Cage Material; Open Enclosure; Relubricatable; Adapter Part Nu
Other Features	Order adapter or withdrawal sleeve or nut separately. Others may be available
Category	Spherical Roller Bearing
UNSPSC	31171510
Harmonized Tariff Code	84823080
Noun	Bearing
Keyword String	Spherical
Manufacturer URL	<a href="http://www.nskamericas.com">http://www.nskamericas.com</a>
Manufacturer Item Number	21313EAKE4
Weight / LBS	0



## INA BRAINGS SALES JAPAN CO.,LTD.

Outside Diameter	5.512 Inch   140 Millimeter
Bore	2.559 Inch   65 Millimeter
Width	1.299 Inch   33 Millimeter
Adapter Part Number	SNW13 H313 HA313 HE313 (Specify Bore) Inch   H313 (Specify bore) Millimeter
Y3	3.1
hidYobi	21313EAKE4
LangID	1
Y1	3
D_	140
Y2	4.6
Macha rpm	6000
B_	33
da min	77
hidTable	ecat_NSSPHR
Oil rpm	4500
Y0	3
mass	2.45
GRS rpm	3600
ra	2
TSR rpm	4500
C0	275
DE_	127.638
X0	1
Prod_Type3	SRB_CTB_TB
X1	1
X2	0.67
SIR	12.8
e	0.22
DA_	15.8
bomp	21313EAKE4



## INA BRAINGS SALES JAPAN CO.,LTD.

Z_	20
ALP2	20
ALP1	8
ALP3	0
D_a max	128
D_a min	126
yobi	21313EAKE4
HPS	HPS
ALPHA_	0.145
SDM_	112.005
r	2.1
KBRG	2328
SBRG	3
DI_	96.372