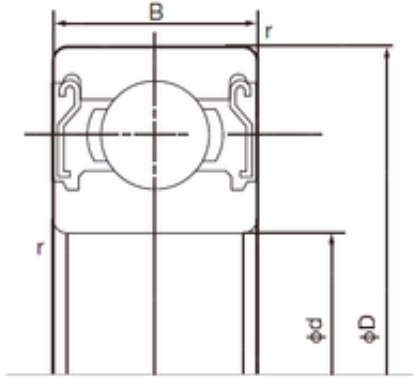




# INA BRAINGS SALES JAPAN CO.,LTD.

90 mm x 190 mm x 43 mm NACHI 6318ZZ  
deep groove ball bearings



Bearing No. 6318ZZ

6318ZZ Bearing 2D drawings and 3D CAD models

Size	90x190x43 mm
Bore Diameter	90 mm
Outer Diameter	190 mm
Width	43 mm
d	90 mm
D	190 mm
B	43 mm
C	43 mm
r min.	3 mm
da min.	104 mm
Da max.	176 mm
ra max.	2.5 mm
Weight	4.91 Kg
Basic dynamic load rating (C)	143 kN
Basic static load rating (C0)	107 kN
Category	Single Row Ball Bearings
Inventory	0.0
Manufacturer Name	NACHI
Minimum Buy Quantity	N/A
Weight / Kilogram	0
Product Group	B00308
Enclosure	2 Metal Shields
Precision Class	ABEC 1   ISO P0
Maximum Capacity / Filling Slot	No



## INA BRAINGS SALES JAPAN CO.,LTD.

Rolling Element	Ball Bearing
Snap Ring	No
Internal Special Features	No
Cage Material	Steel
Internal Clearance	C0-Medium
Inch - Metric	Metric
Long Description	90MM Bore; 190MM Outside Diameter; 43MM Outer Race Width; 2 Metal Shields; Ball Bearing; ABEC 1   ISO P0; No Filling Slot; No Snap Ring; No Internal Special Features; C0-Medium Internal Clearance; Ste
Other Features	Deep Groove
Category	Single Row Ball Bearing
UNSPSC	31171504
Harmonized Tariff Code	8482.10.50.68
Noun	Bearing
Keyword String	Ball
Manufacturer URL	<a href="http://www.nachi-america.com">http://www.nachi-america.com</a>
Weight / LBS	11.1816
Bore	3.543 Inch   90 Millimeter
Inner Race Width	0 Inch   0 Millimeter
Outer Race Width	1.693 Inch   43 Millimeter
Outside Diameter	7.48 Inch   190 Millimeter
Bore Type	Cylindrical Bore
Configuration	Single Row
Bore Size	90 mm
Width	43 mm
Fillet Radius/Chamfer	3 mm
Dynamic Load Rating	143,000 N
Static Load Rating	107,000 N



## INA BRAINGS SALES JAPAN CO.,LTD.

Limiting Speed - Grease	3,600 rpm
Factor fo	13.3
Radial Clearance	0.012 to 0.036 mm
da (min)	104 mm
Da (max)	176 mm
ra (max)	2.5 mm